



# 6000/8000 Series Furniture Installation Instructions

Fit lock/latch as per fitting instructions, with a 25mm spindle hole to **allow for rotor clearance**.

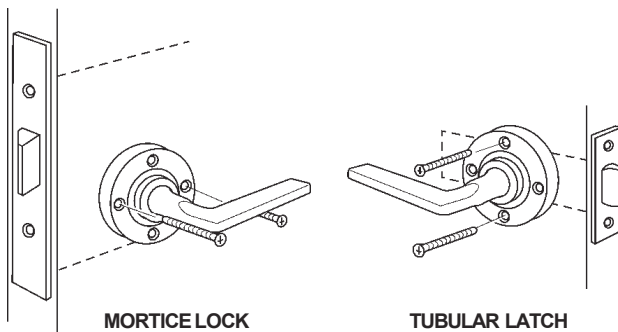
It is very **important that holes are drilled squarely**. Failure to do so will lead to difficulty lining up the handles and spindle.



**All applications involving door closers** require 2x through-fixing screws and 2x self-tapping wood screws to be fitted to each rose. Failure to do so may void manufacturers' warranty.

The following method is recommended:

- 1 Place the handle on the lock spindle. Make sure the handle is sitting correctly and spot through the appropriate screw holes onto the door (as illustrated below).
- 2 Use the same handle and repeat on the other side of the door.
- 3 Drill 5mm holes halfway through the door and repeat on the other side of the door, with the holes meeting in the middle of the door.
- 4 To avoid cutting the screws too short, fit the screws through both handles on the door, and cut flush against the rose.
- 5 Tighten through-fixing screws securely, fit self-tapping woodscrews to each rose as necessary.



MORTICE LOCK

TUBULAR LATCH